

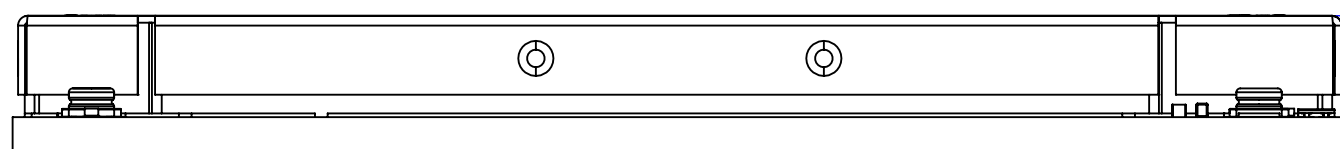
SATELLITE ANTENNA

GPS

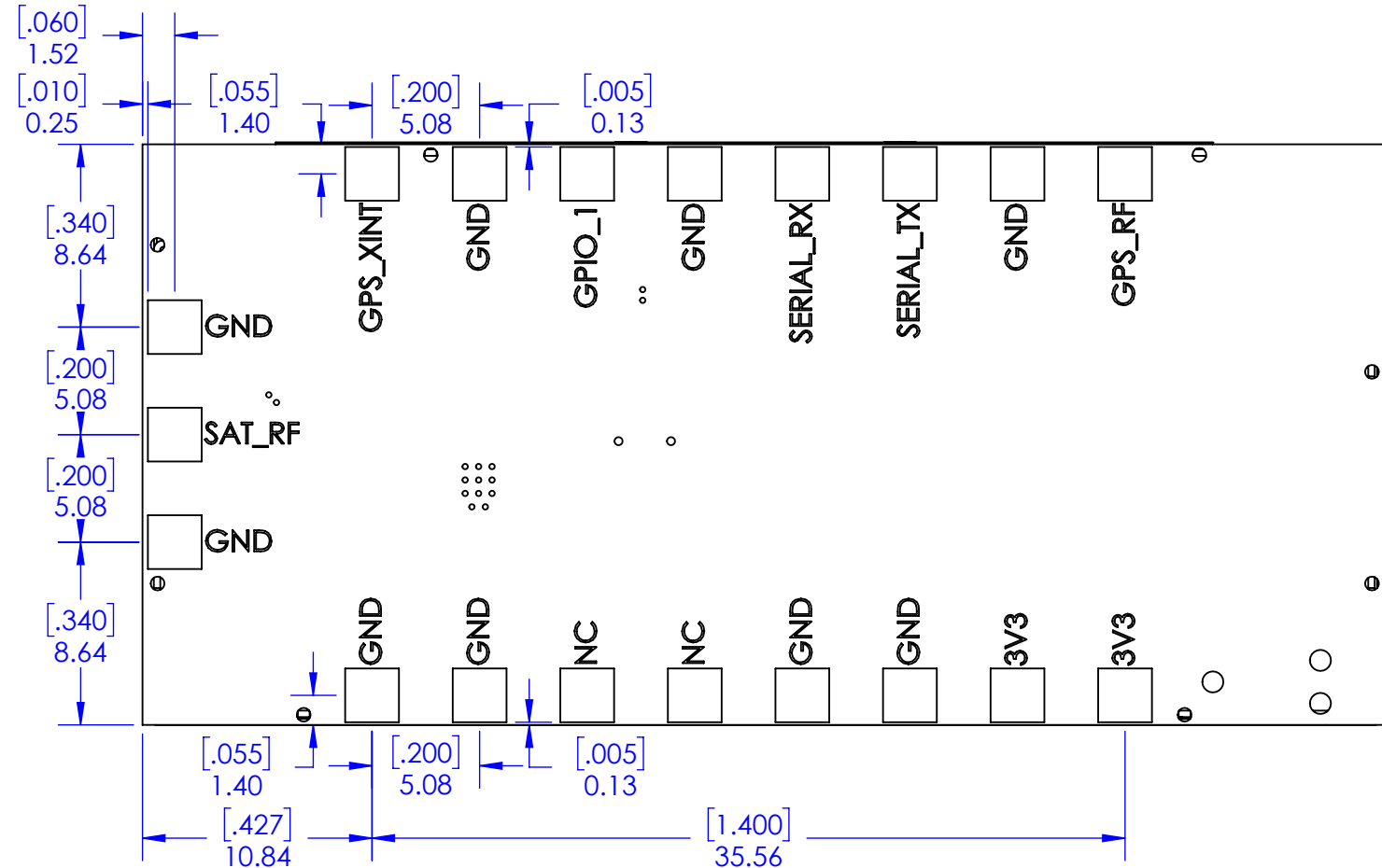
GPS ANTENNA

[2.310±.012]
58.67±0.30

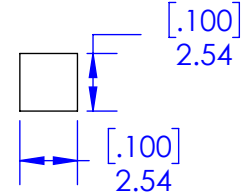
[1.080±.012]
27.43±0.30



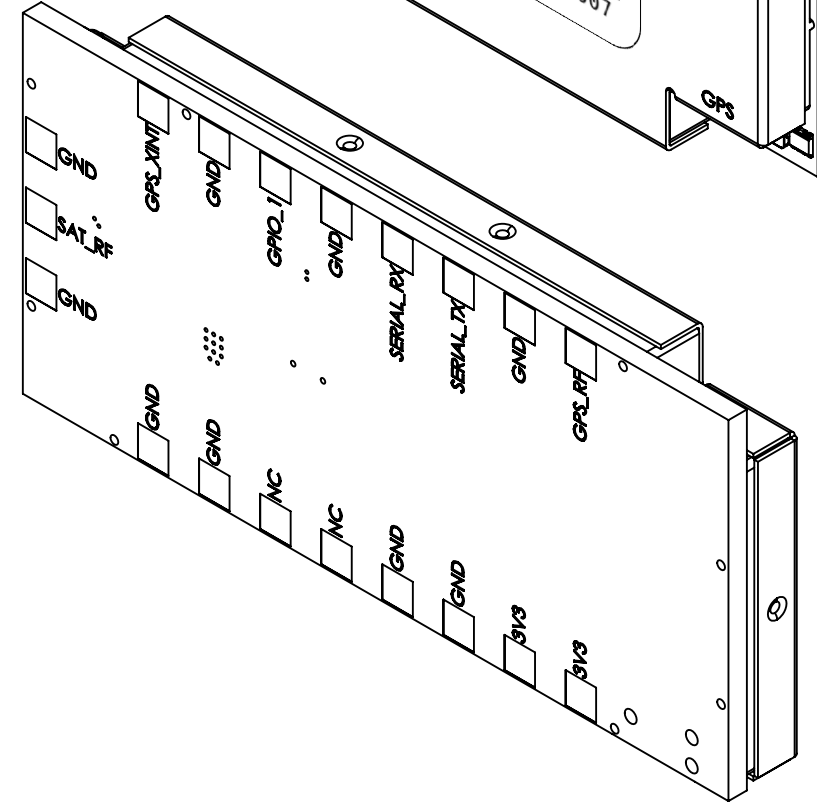
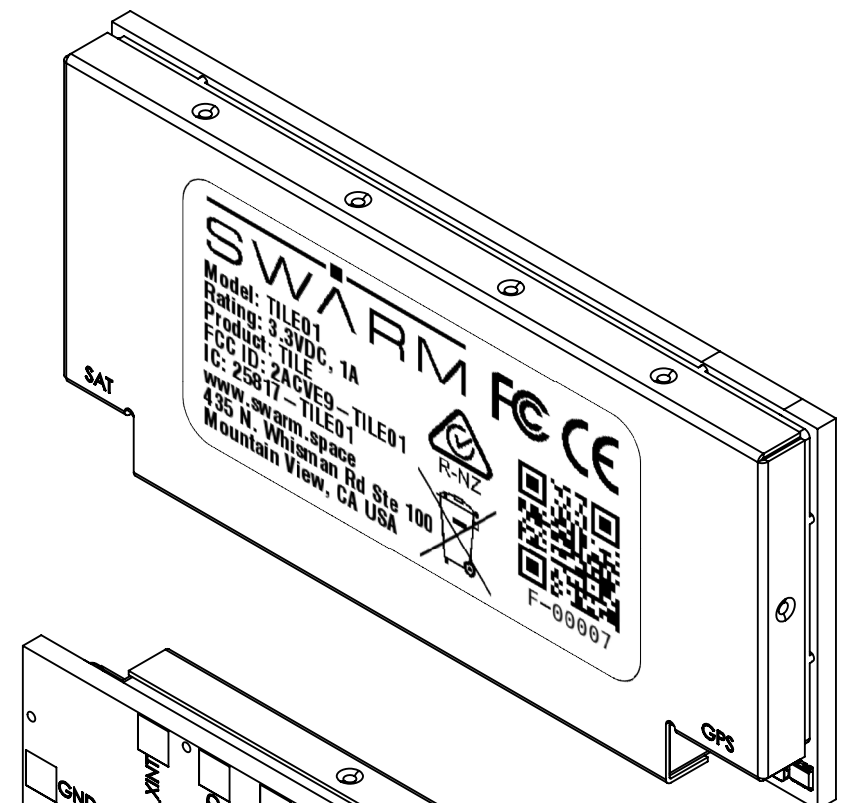
[.236±.004]
6.00±0.10



PAD DIMENSIONS



[XX] in
[XX] mm



UNLESS OTHERWISE SPECIFIED: DIMENSIONS ARE IN mm TOLERANCES: .X mm ±0.2 .X in ±0.015 .XX mm ±0.1 .XX in ±0.008 .XXX mm ±0.05 .XXX in ±0.004 .XXXX in ±0.002		NAME	DATE	SWARM TITLE: SWARM TILE - ASSEMBLY	
		DRAWN	Z.K.		6/3/2020
		MATERIAL:			
		FINISH:			
ANGULAR: MACH ±.25 BEND ±1					
THE INFORMATION CONTAINED IN THIS DRAWING IS THE SOLE PROPERTY OF SWARM TECHNOLOGIES. ANY REPRODUCTION IN PART OR AS A WHOLE WITHOUT THE WRITTEN PERMISSION OF SWARM TECHNOLOGIES IS PROHIBITED.					
	SIZE	SCALE	SHEET	REV	
	B	NTS	2 OF 2		