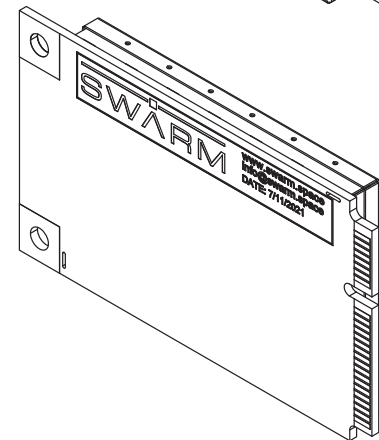
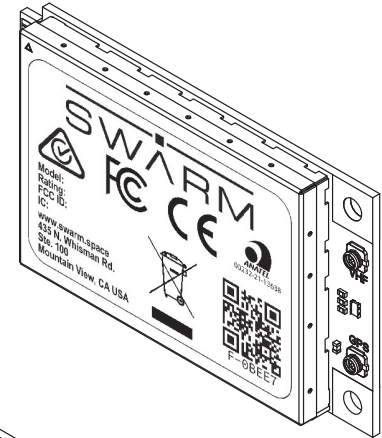
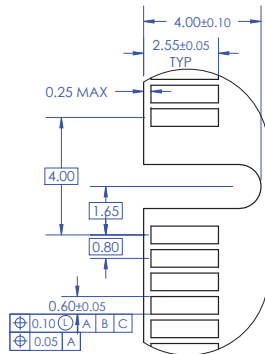


BOTTOM SIDE

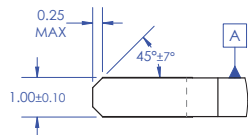


[XX] in
XX mm

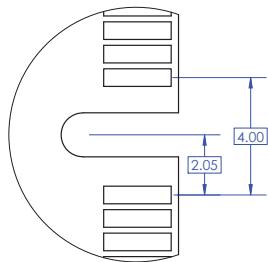
UNLESS OTHERWISE SPECIFIED:		NAME	DATE		
DIMENSIONS ARE IN mm		DRAWN	Z.K.		
TOLERANCES:		MATERIAL:		TITLE:	
.X mm ±0.2	.X in ±0.015	FINISH:		M138 MODEM GENERAL VIEWS	
.XX mm ±0.1	.XX in ±0.008				
.XXX mm ±0.05	.XXX in ±0.004			SIZE B	
.XXXX mm ±0.002	.XXXX in ±0.002			SCALE NTS	
ANGULAR: MACH ±.25 BEND ±1				SHEET 1 OF 4	
THE INFORMATION CONTAINED IN THIS DRAWING IS THE SOLE PROPERTY OF SWARM TECHNOLOGIES. ANY REPRODUCTION IN PART OR AS A WHOLE WITHOUT THE WRITTEN PERMISSION OF SWARM TECHNOLOGIES IS PROHIBITED.					
				REV	



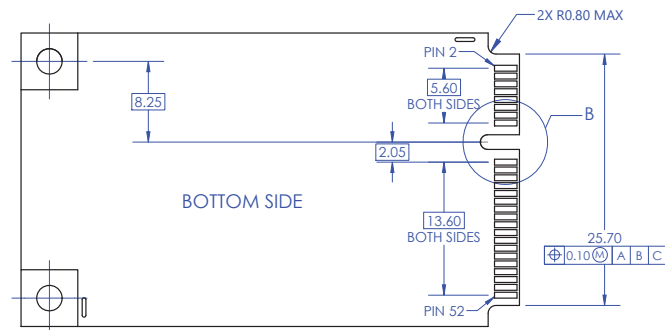
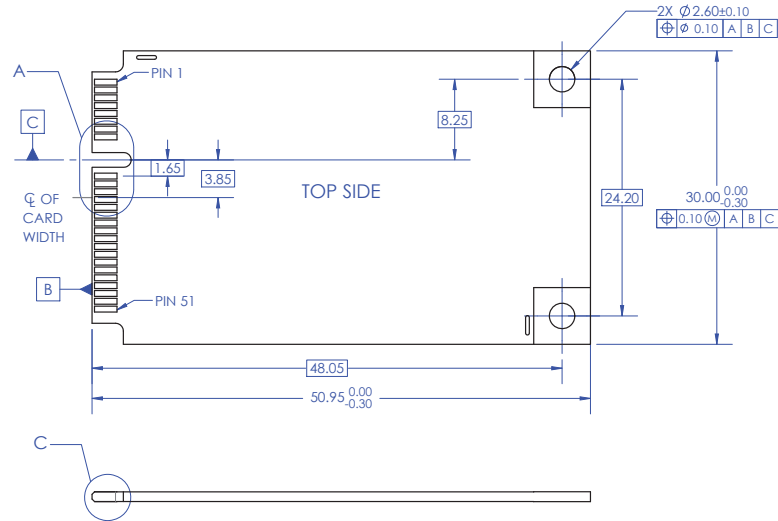
DETAIL A



DETAIL C



DETAIL B



UNLESS OTHERWISE SPECIFIED:
DIMENSIONS ARE IN mm

TOLERANCES:

.X mm ±0.2 .X in ±0.015
.XX mm ±0.1 .XX in ±0.008
.XXX mm ±0.05 .XXX in ±0.004
.XXXX in ±0.002

ANGULAR: MACH ±.25 BEND ±1

NAME: Z.K. DATE: 2021-11-11

MATERIAL:

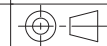
FINISH:

SWARM

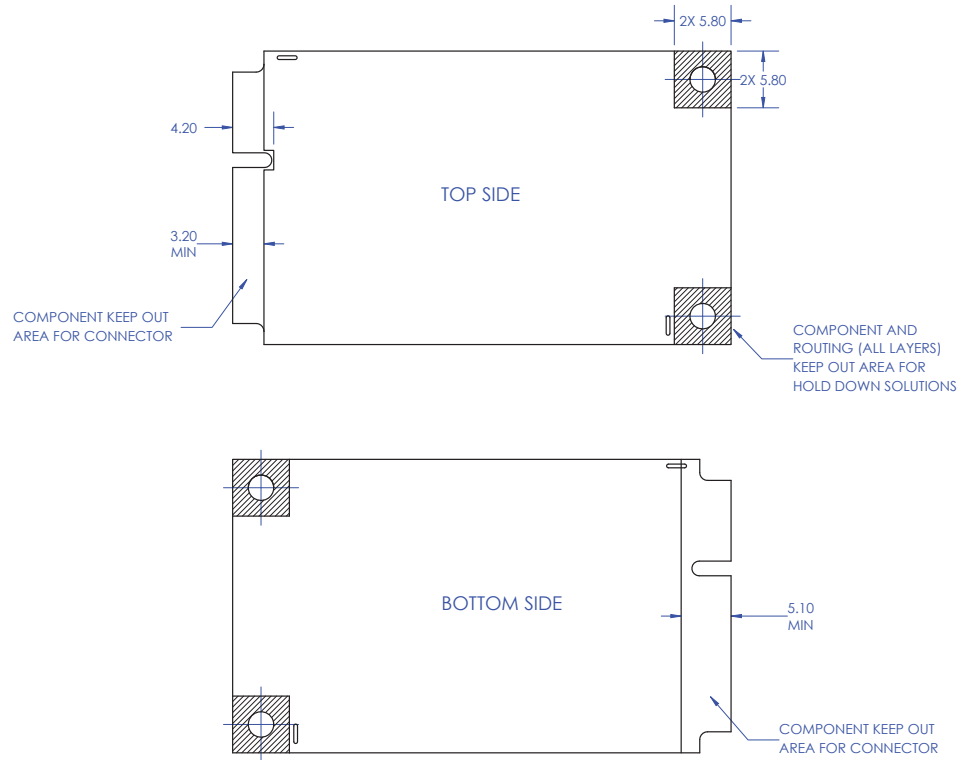
TITLE:

**M138 MODEM
CARD TOP AND BOTTOM**

THE INFORMATION CONTAINED IN THIS DRAWING IS THE SOLE PROPERTY OF SWARM TECHNOLOGIES. ANY REPRODUCTION IN PART OR AS A WHOLE WITHOUT THE WRITTEN PERMISSION OF SWARM TECHNOLOGIES IS PROHIBITED.



SIZE B	SCALE NTS	SHEET 2 OF 4	REV
------------------	---------------------	------------------------	-----



UNLESS OTHERWISE SPECIFIED:
 DIMENSIONS ARE IN **mm**
 TOLERANCES:
 .X mm ±0.2 .X in ±0.015
 .XX mm ±0.1 .XX in ±0.008
 .XXX mm ±0.05 .XXX in ±0.004
 .XXXX in ±0.002
 ANGULAR: MACH ±.25 BEND ±1

	NAME	DATE
DRAWN	Z.K.	2021-11-11
MATERIAL:		
FINISH:		

TITLE:			
M138 MODEM COMPONENT KEEP OUT AREAS			
	SIZE B	SCALE NTS	SHEET 3 OF 4
			REV

THE INFORMATION CONTAINED IN THIS DRAWING IS THE SOLE PROPERTY OF SWARM TECHNOLOGIES. ANY REPRODUCTION IN PART OR AS A WHOLE WITHOUT THE WRITTEN PERMISSION OF SWARM TECHNOLOGIES IS PROHIBITED.